

LCD Monitor Arm // Installation Manual

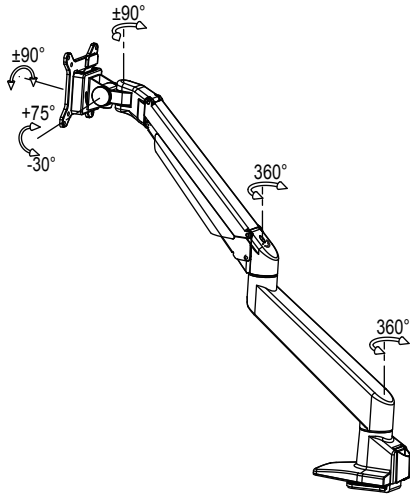
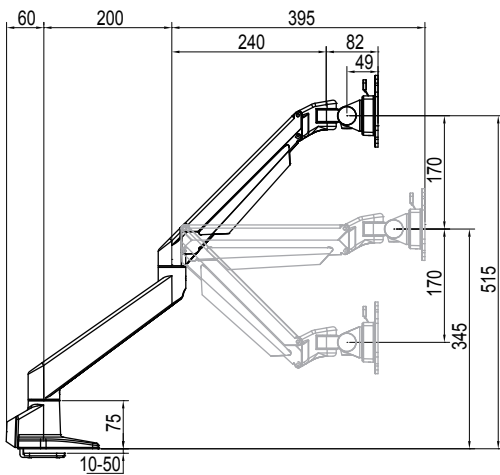
Product name: Full motion desk gas arm

Model no. BS100

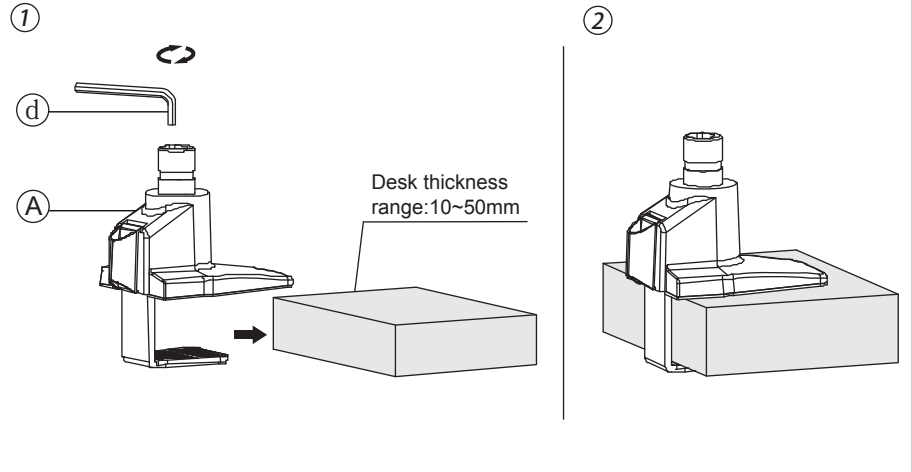
Product Specification

Sketch											Desk thickness (mm)	
Item	Monitor size	Weight range (kg)	Lift (mm)	Tilt	Swivel	Pivot	VESA	Packing size (mm)	N.W(kg)	G.W(kg)	Thru-desk	Desk clamp
Specification	≤30°	2-10	340	+75°~ -30°	±90°	±90°	75*75	Inner: 475*195*140	Inner: 3.3	Inner: 3.8	50	50
		8-20					100*100	Outer: 490*210*440				

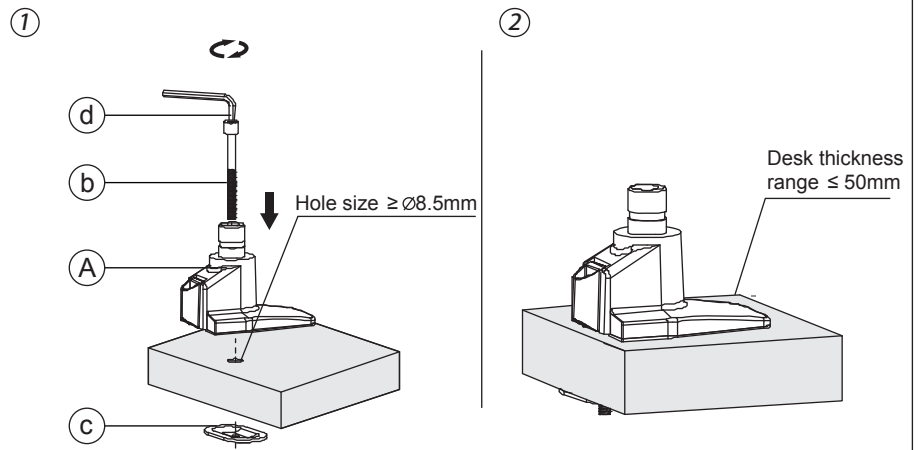
Product Size



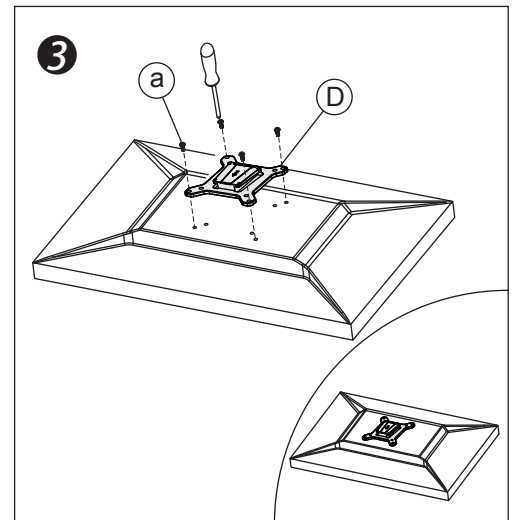
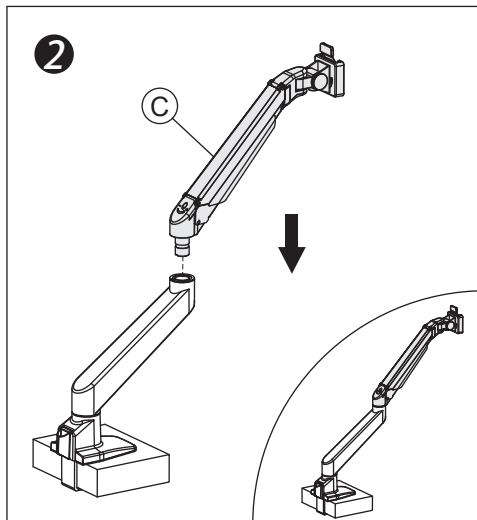
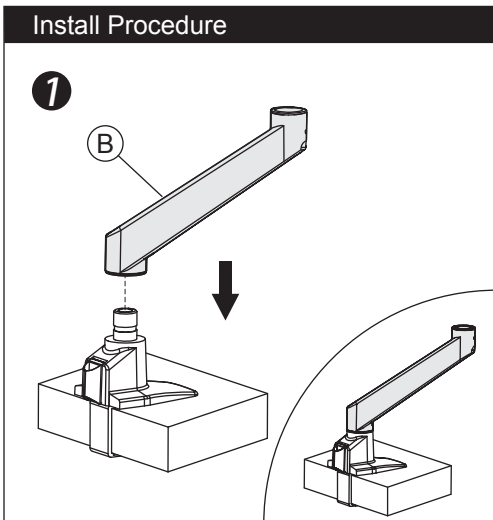
Installation – Desk Clamp

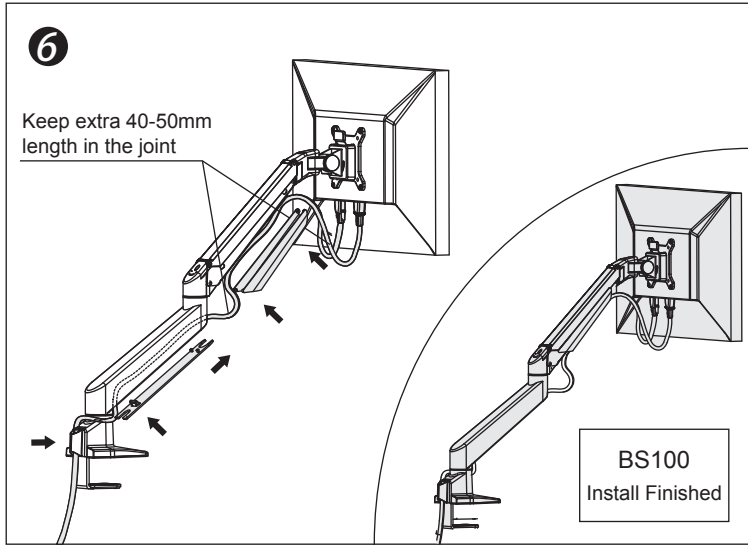
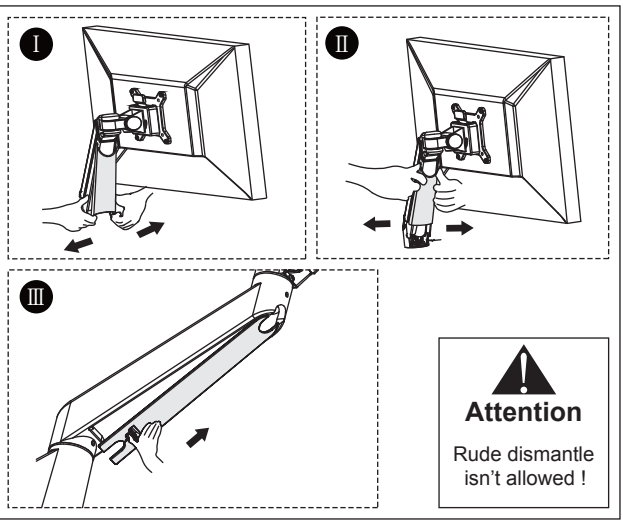
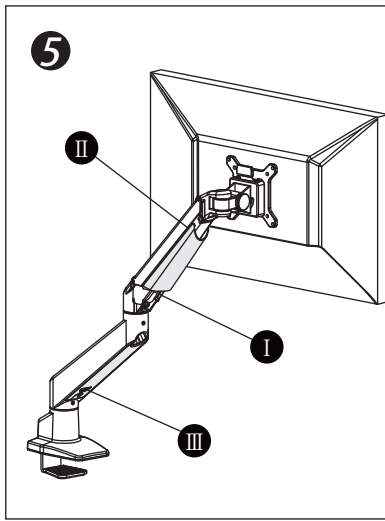
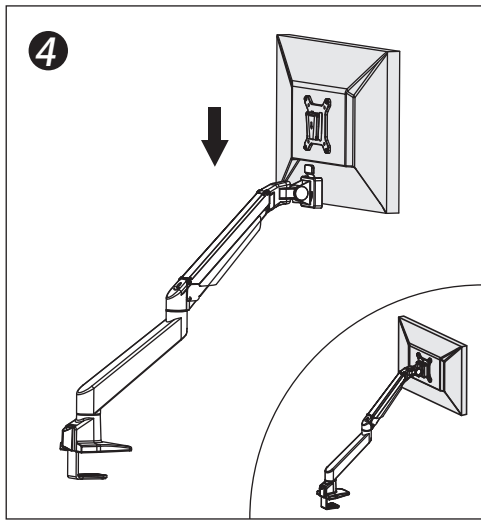


Installation – Thru-desk



Install Procedure





Adjust Procedure

Adjust this according to monitor weight

Don't adjust this unless the gas arm is horizontal

Monitor remove

Try more to make above adjustment based on monitor weight to get best free-stop effect

Module List			
No.	Sketch	Specs	Quantity
A			1
B			1
C			1
D			1

Part List			
No.	Sketch	Specs	Quantity
a		M4x12	4
b		M8x160	1
c			1
d		M6	1
e		M4	1