

LCD Monitor Arm // Installation Manual

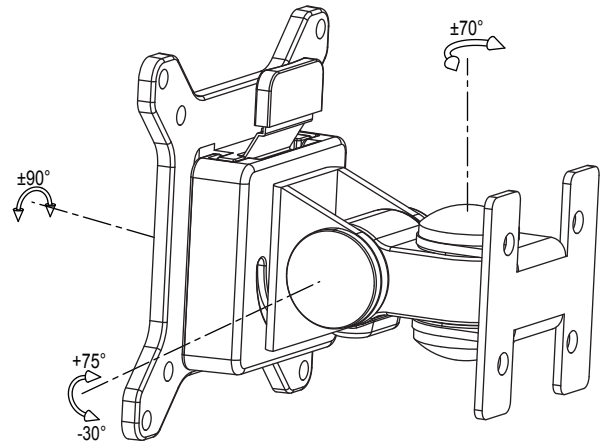
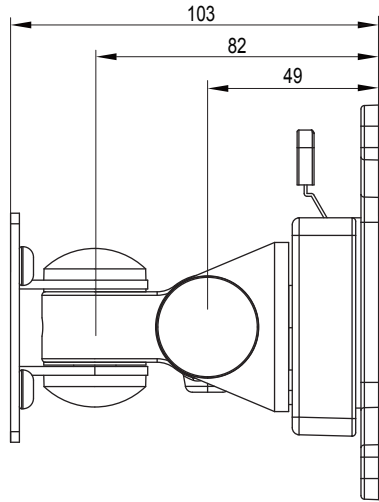
Product name: Full motion wall mount arm

Model no. BS105

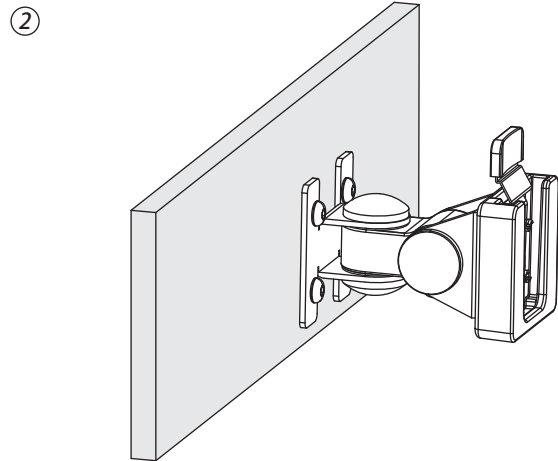
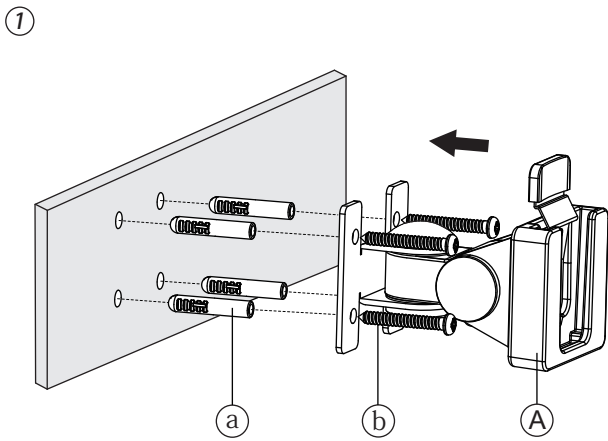
Product Specification

Sketch											
Item	Monitor size	Weight range (kg)	Lift(mm)	Tilt	Swivel	Pivot	VESA	Packing size (mm)	N.W(kg)	G.W(kg)	Hole layout (mm)
Specification	≤30°	13	—	+75°~ -30°	±70°	±90°	75*75	Inner: 120*120*120	Inner: 0.8	Inner: 0.9	44x35
							100*100	Outer: 615*255*140	Outer: 8	Outer: 9.4	

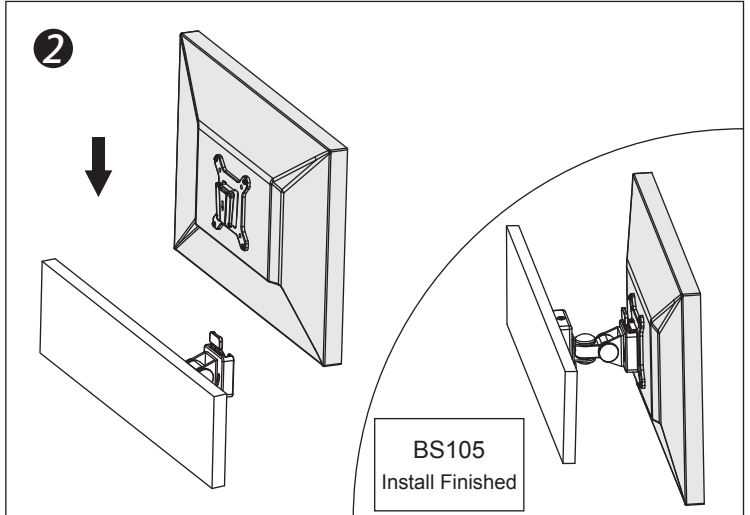
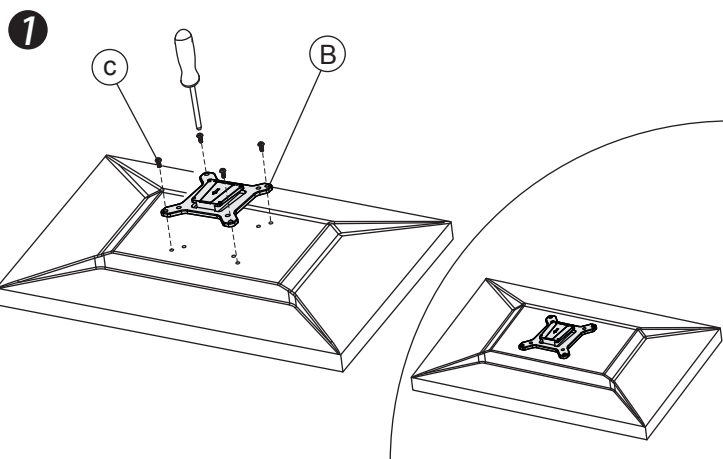
Product Size



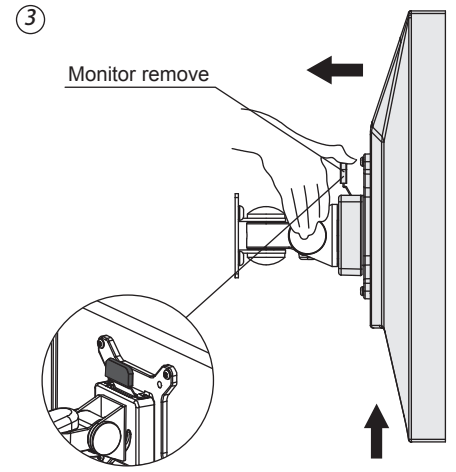
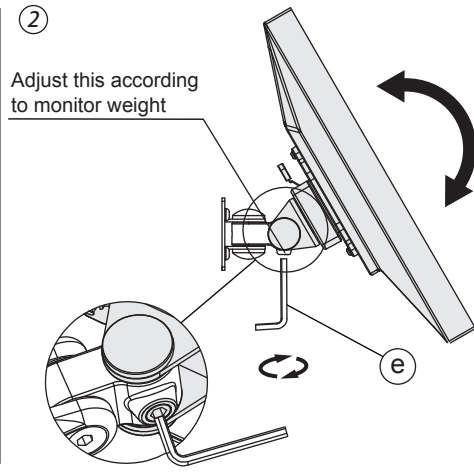
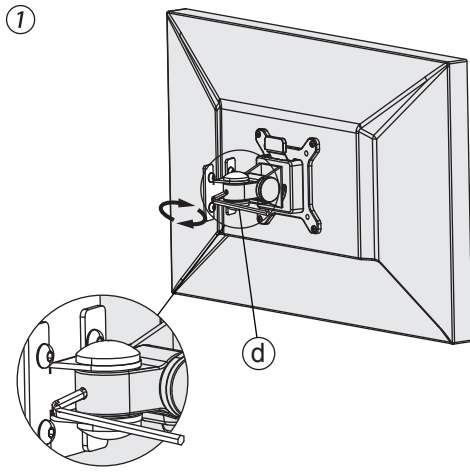
Installation of Wall-fixed Base



Install Procedure



Adjust Procedure



Module List

No.	Sketch	Specs	Quantity
A			1
B			1

Part List

No.	Sketch	Specs	Quantity
a		Ø10x40	4
b		M6x40	4
c		M4x12	4
d		M4	1
e		M6	1