

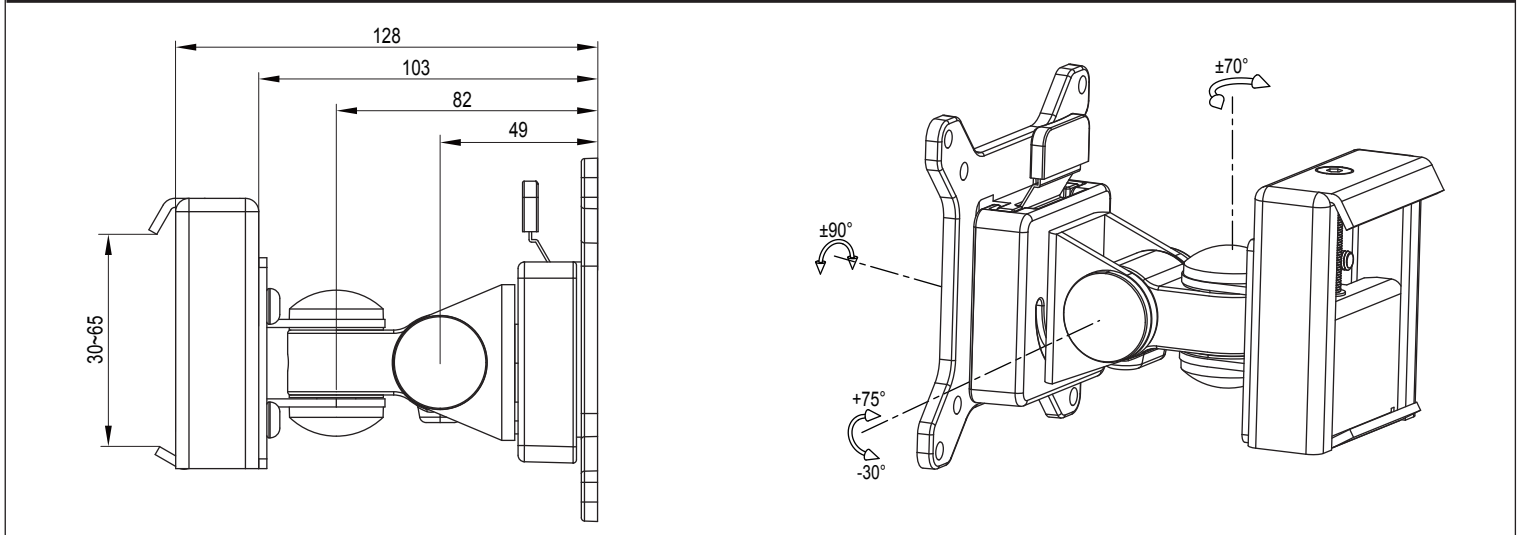
LCD Monitor Arm // Installation Manual

Product name: Full motion slat rail mount arm Model no. BS104

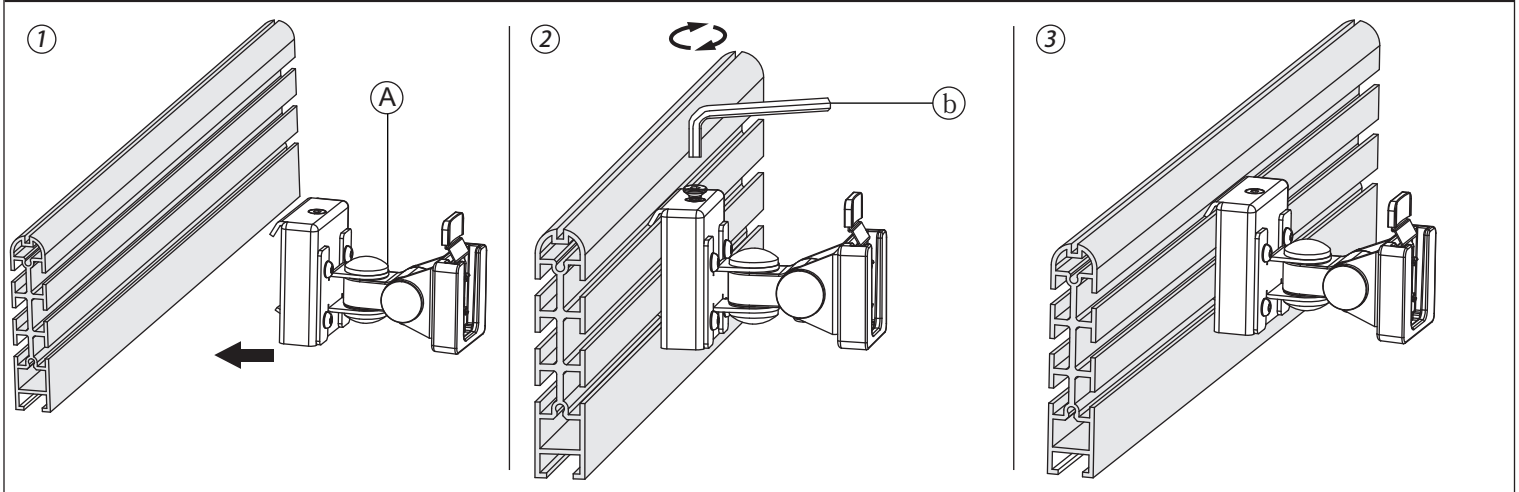
Product Specification

Sketch											
Item	Monitor size	Weight range (kg)	Lift(mm)	Tilt	Swivel	Pivot	VESA	Packing size (mm)	N.W(kg)	G.W(kg)	Clamp size (mm)
Specification	≤30°	13	—	+75°~ -30°	±70°	±90°	75*75	Inner: 170*120*120	Inner: 1.2	Inner: 1.3	32~65
							100*100	Outer: 615*355*140	Outer: 12	Outer: 13.4	

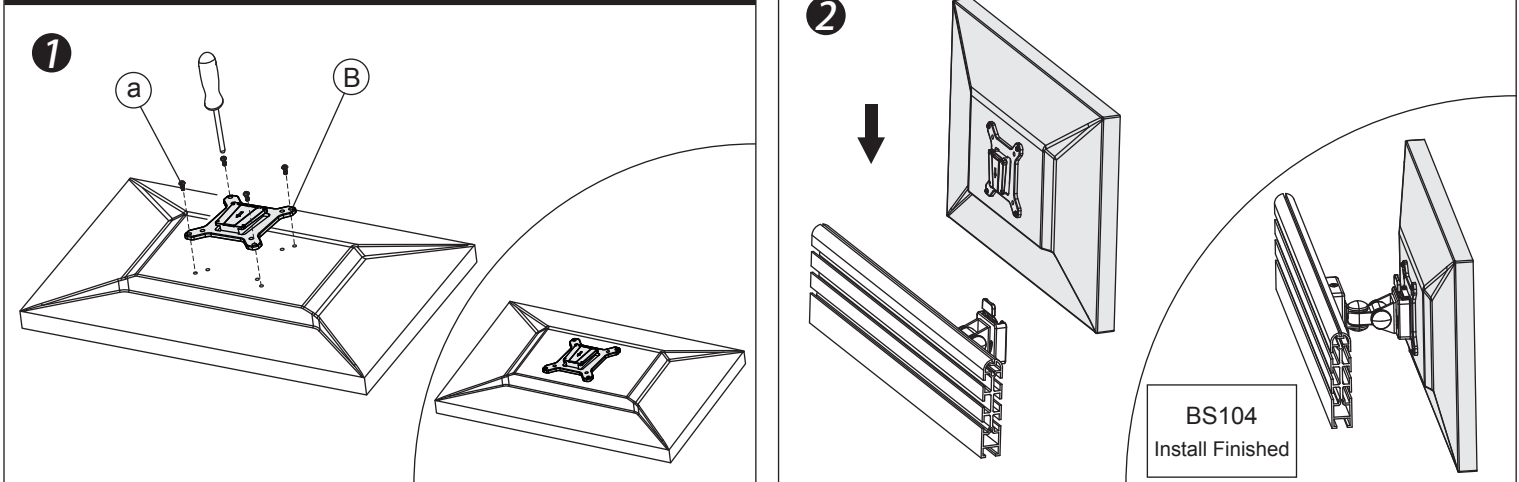
Product Size



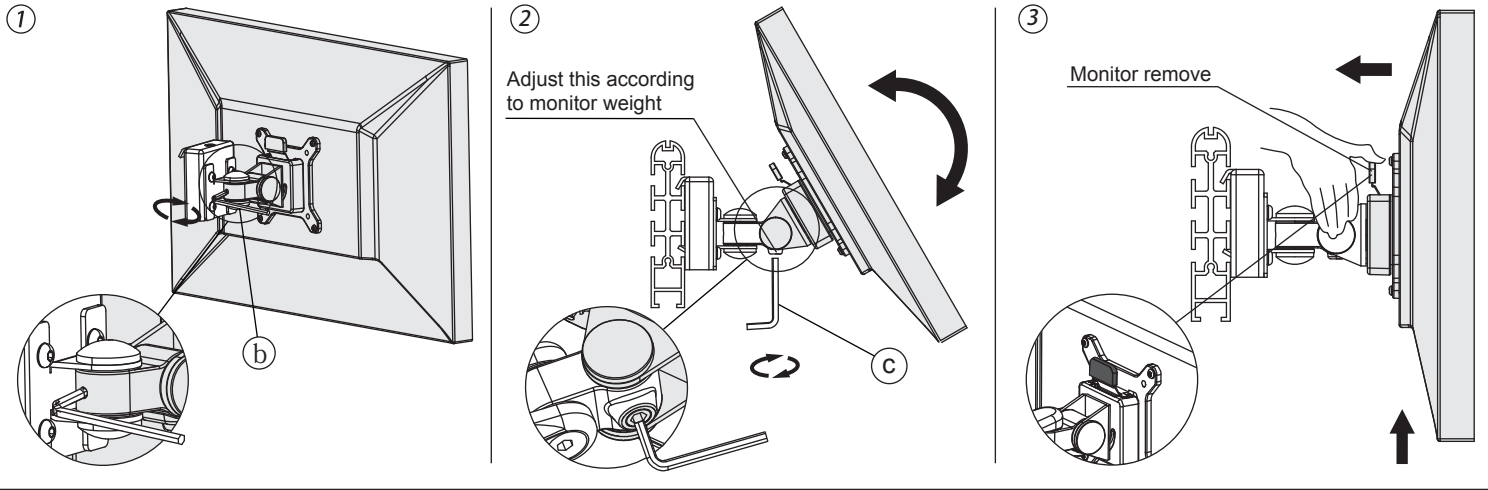
Installation of Slat Rail-fixed Base



Install Procedure



Adjust Procedure



Module List

No.	Sketch	Specs	Quantity
A			1
B			1

Part List

No.	Sketch	Specs	Quantity
a		M4x12	4
b		M4	1
c		M6	1