

# Product name: Full motion laptop gas arm

## Model No.: K102U

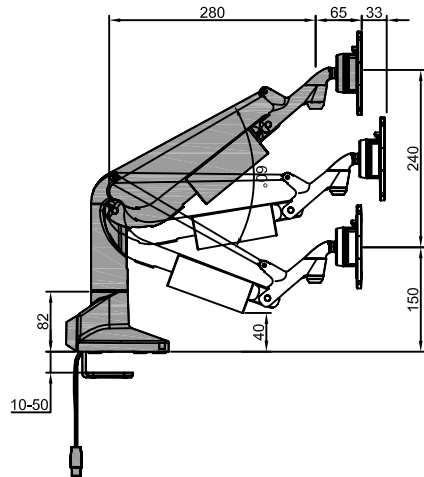


### Product Features

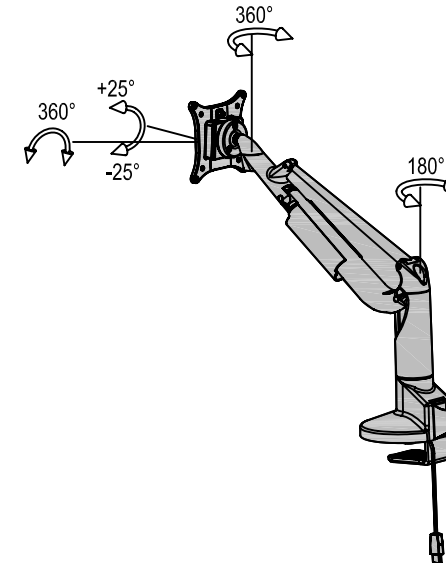
- Easy to adjust the monitor angle and position to satisfy the different view.
- Use the gas cylinder adjust design, make free up&down movement for the monitors.
- Simple installation design makes more flexible in using at the narrow place.

### Technical parameter

										Desk thickness application (mm)	
LCD Size	Wt.Capacity(kg)	Lift(mm)	Tilt	Swivel	Pivot	VESA	Packing size(mm)	NW(kg)	GW(kg)	Thru desk	Desk clamp
≤30"	1.5-7.5	240	+25°~-25°	±180°	360°	75*75	Inner: 480*250*160	Inner: 3.0	Inner: 3.5	60	50
						100*100	Outer: 500*270*510				



Product Dimensions



Multifunctional adjustment figure