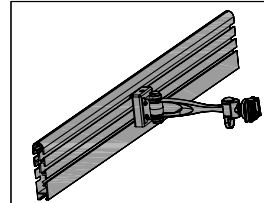
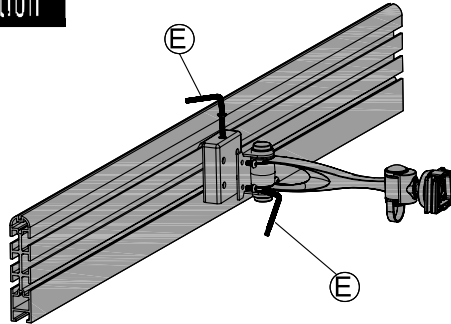


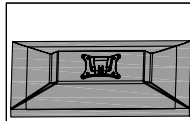
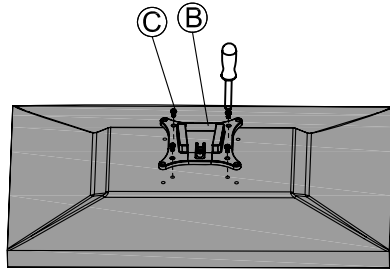
## Installation Manual

**Model No: D101**

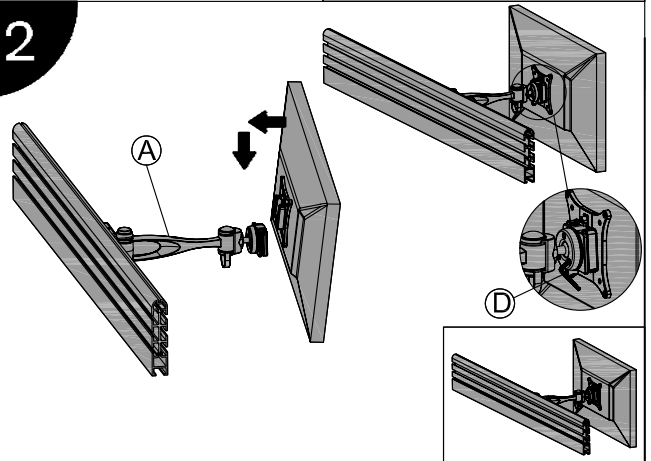
### Table screen Installation








**1**



**2**



### Parts list

No.	ITEM	SPECS	QUANTITY
A			1
B			1
C		M4*12	4
D		M3	1
E		M4	1