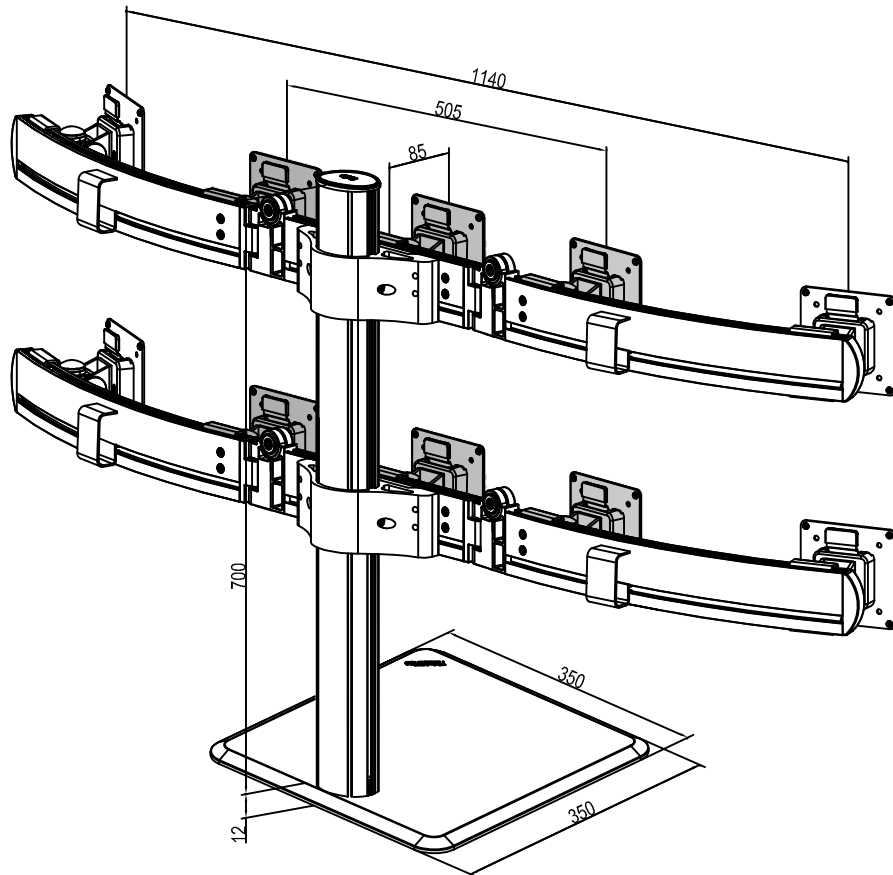


Product name: Sextuple lcd monitor stand

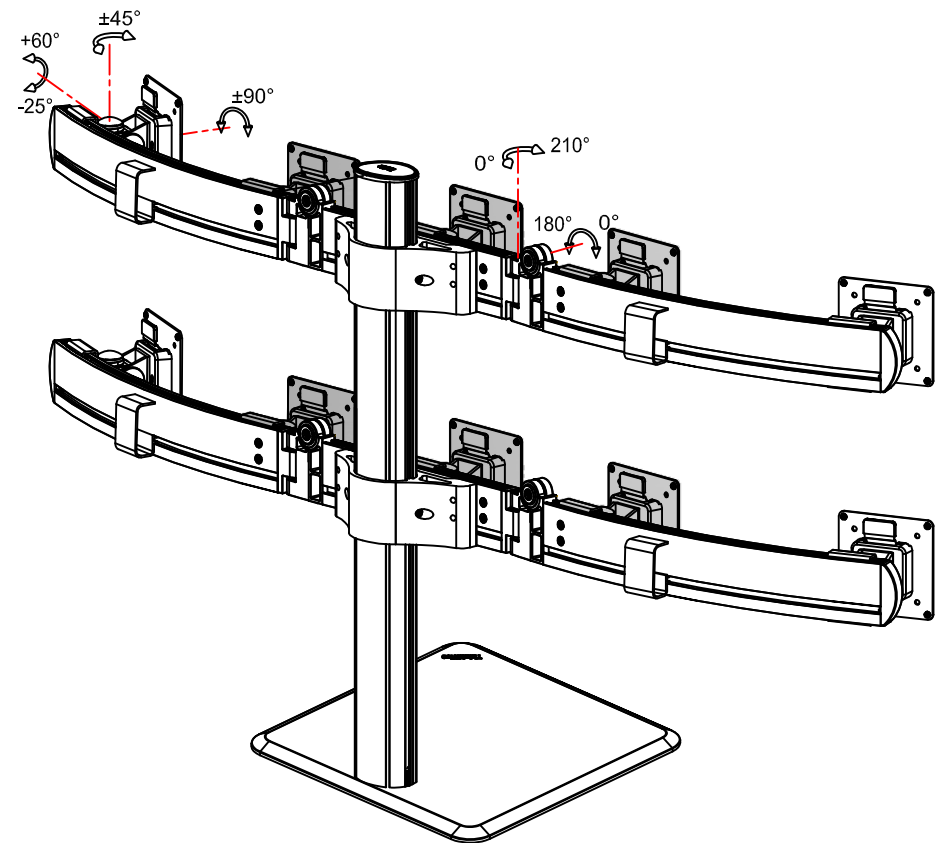
Model No.: L601



Product Features	Technical parameter										
<ul style="list-style-type: none"> Made by AL380 with the anodizing appearance. Mainly used in the controlling, finance, and monitoring systems. With the internal cable management, making the desk more concise and artistic. More functional arm design could make the monitors slide easily, the left and right arms could stretch back and forward, folding up and down. 											Stand base mount
	LCD Size	Wt.Capacity(kg)	Lift(mm)	Tilt	Swivel	Pivot	VESA	Packing size(mm)	NW (kg)	GW(kg)	LXW(mm)
	≤24"	8	700	+60° ~ -25°	±45°	±90°	75*75 100*100	1380*410*180	16.3	19.6	350x350



Product Dimensions



Multifunctional adjustment figure