

Product name: Sextuple lcd monitor arm

Model No.: L600

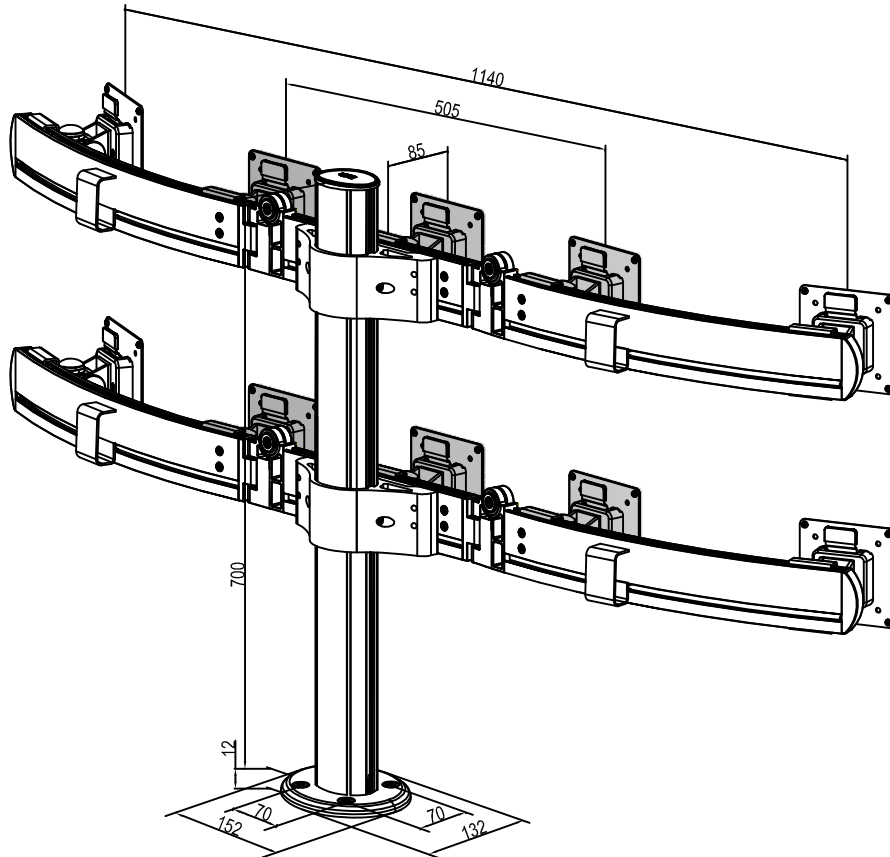


Product Features

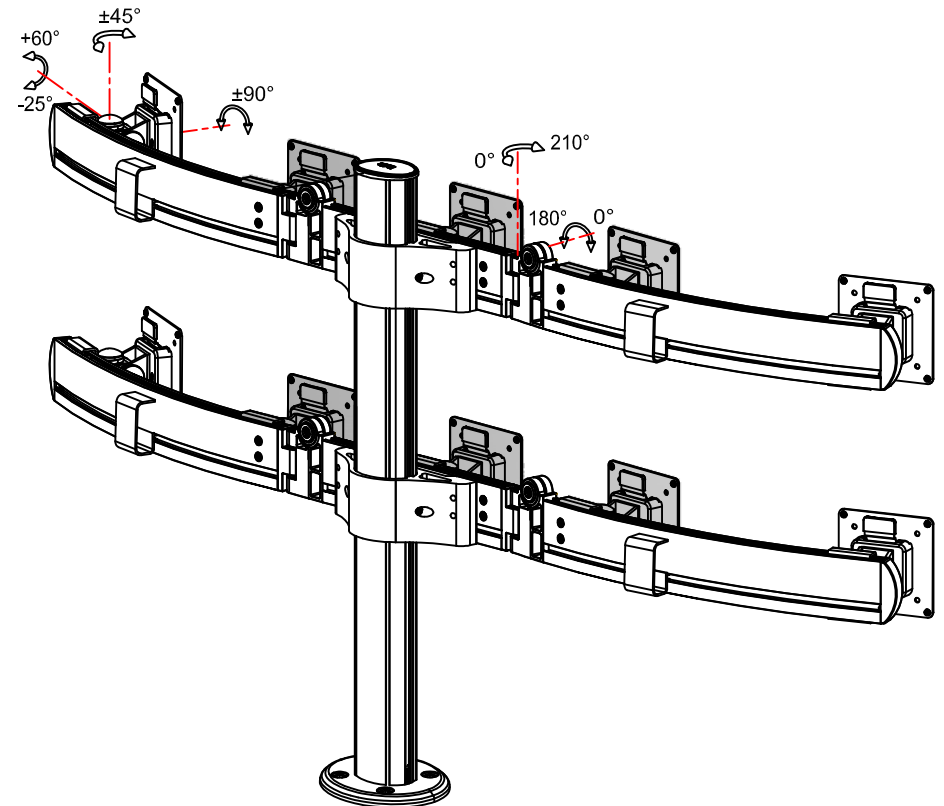
- Made by AL380 with the anodizing appearance. Mainly used in the controlling, finance, and monitoring systems.
- With the internal cable management, making the desk more concise and artistic.
- More functional arm design could make the monitors slide easily, the left and right arms could stretch back and forward, folding up and down.

Technical parameter

											Grommet mount
	LCD Size	Wt.Capacity(kg)	Lift(mm)	Tilt	Swivel	Pivot	VESA	Packing size(mm)	NW (kg)	GW(kg)	Desk thickness (mm)
	≤24"	8	700	+60° ~ -25°	±45°	±90°	75*75 100*100	1380*410*180	14.1	17.3	40



Product Dimensions



Multifunctional adjustment figure